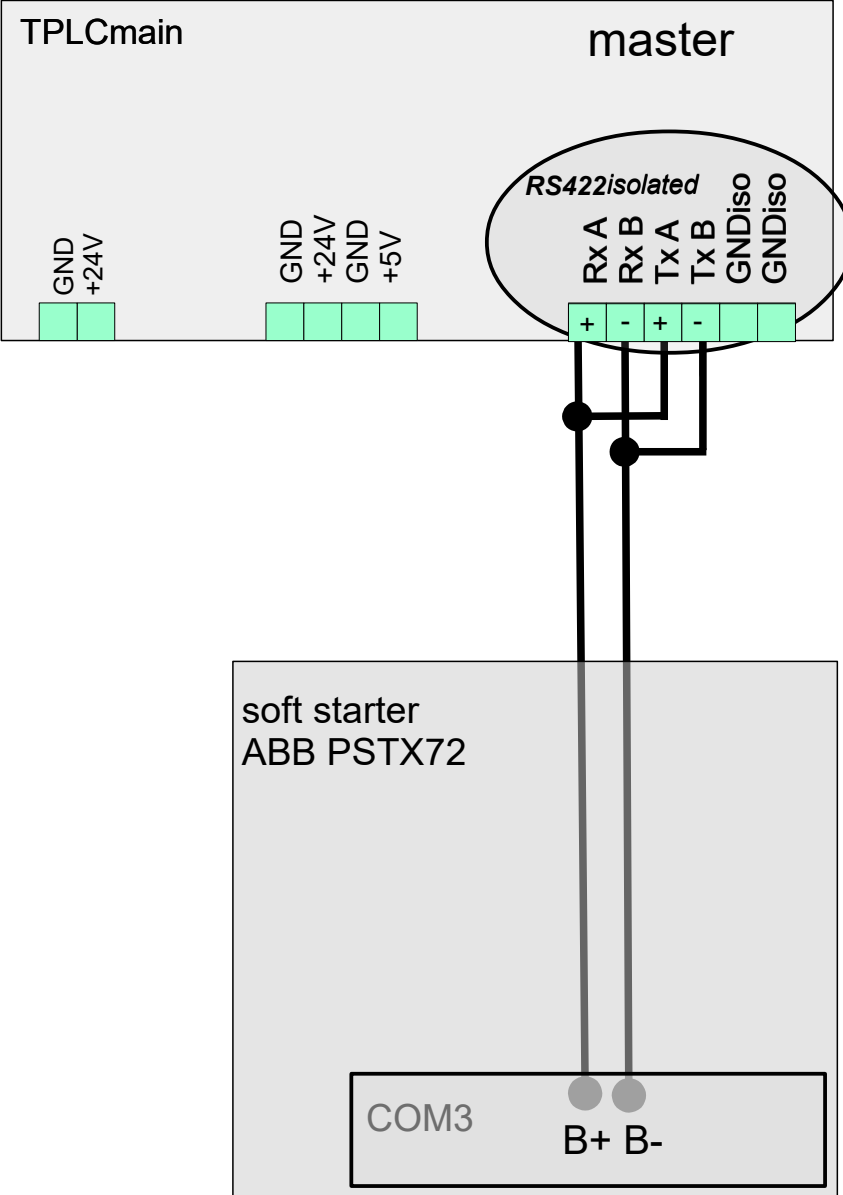
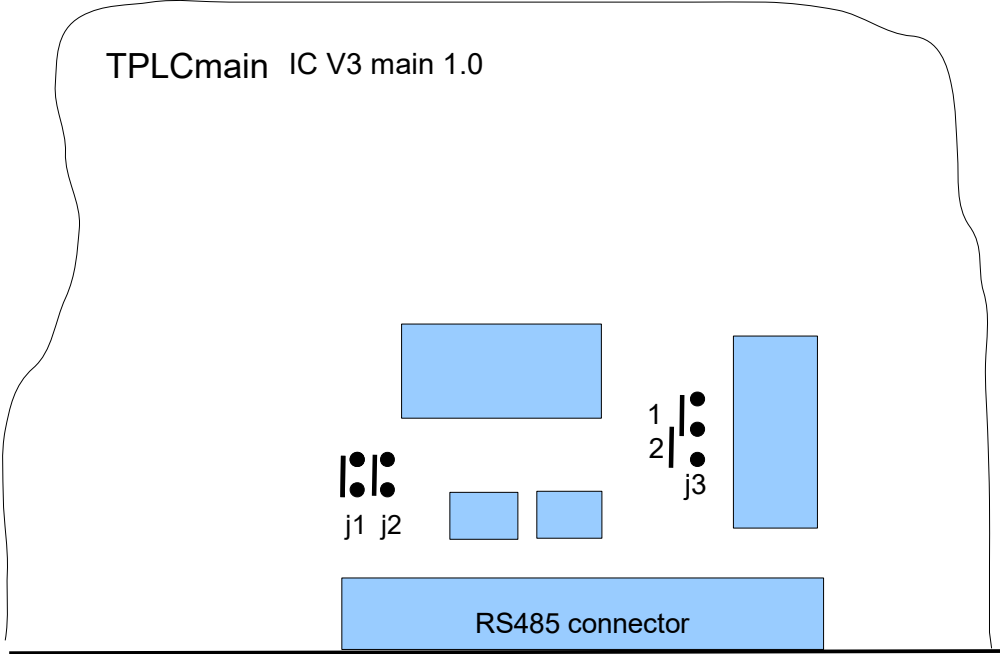


RS485 connection b/w TPLC and softstarter



RS485 jumper mode



TPLC="master" in RS485 and RS232 mode j1 = on, j2 = on
 TPLC="slave" in RS485 and RS232 mode j1 = off, j2 = off

 TPLC="master" in RS422 mode j3=2,
 in all other options j3=1